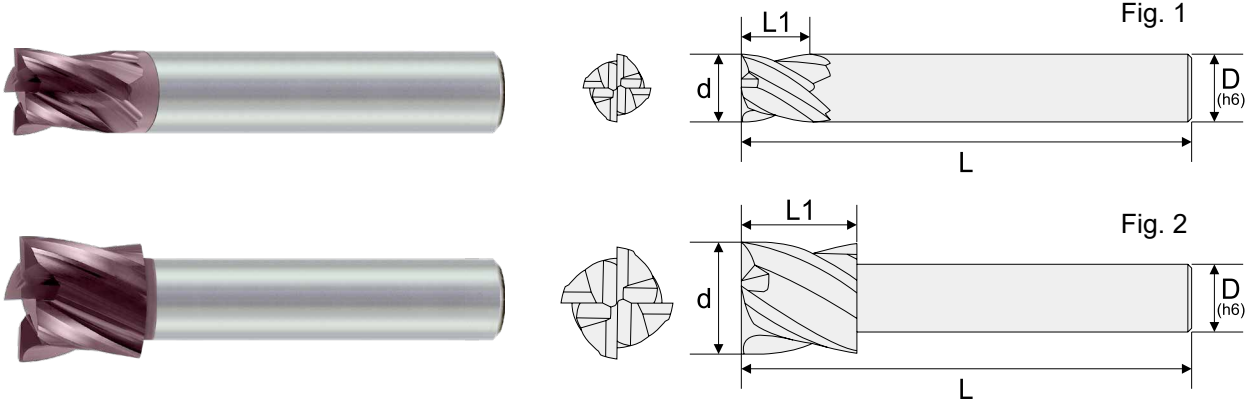


ETU Series - Carbide Endmills (Short Total Length)

全鎢鋼銑刀 (短全長)



Order No.	Dia (d)	CL (L1)	OAL (L)	Shank (D)	Flutes (F)	Coating	Fig
ETSSC401000U	1.0	1.0	40	6	4	UNICO	1
ETSSC401500U	1.5	1.5	40	6	4	UNICO	1
ETSSC402000U	2.0	2.0	40	6	4	UNICO	1
ETSSC402500U	2.5	2.5	40	6	4	UNICO	1
ETSSC403000U	3.0	3.0	40	6	4	UNICO	1
ETSSC404000U	4.0	4.0	40	6	4	UNICO	2
ETSSC405000U	5.0	5.0	40	6	4	UNICO	2
ETSSC406000U	6.0	6.0	40	6	4	UNICO	2
ETSSC408000U	8.0	8.0	40	6	4	UNICO	2
ETSSC410000U	10.0	10.0	40	6	4	UNICO	2
ETSSC412000U	12.0	10.0	40	6	4	UNICO	2